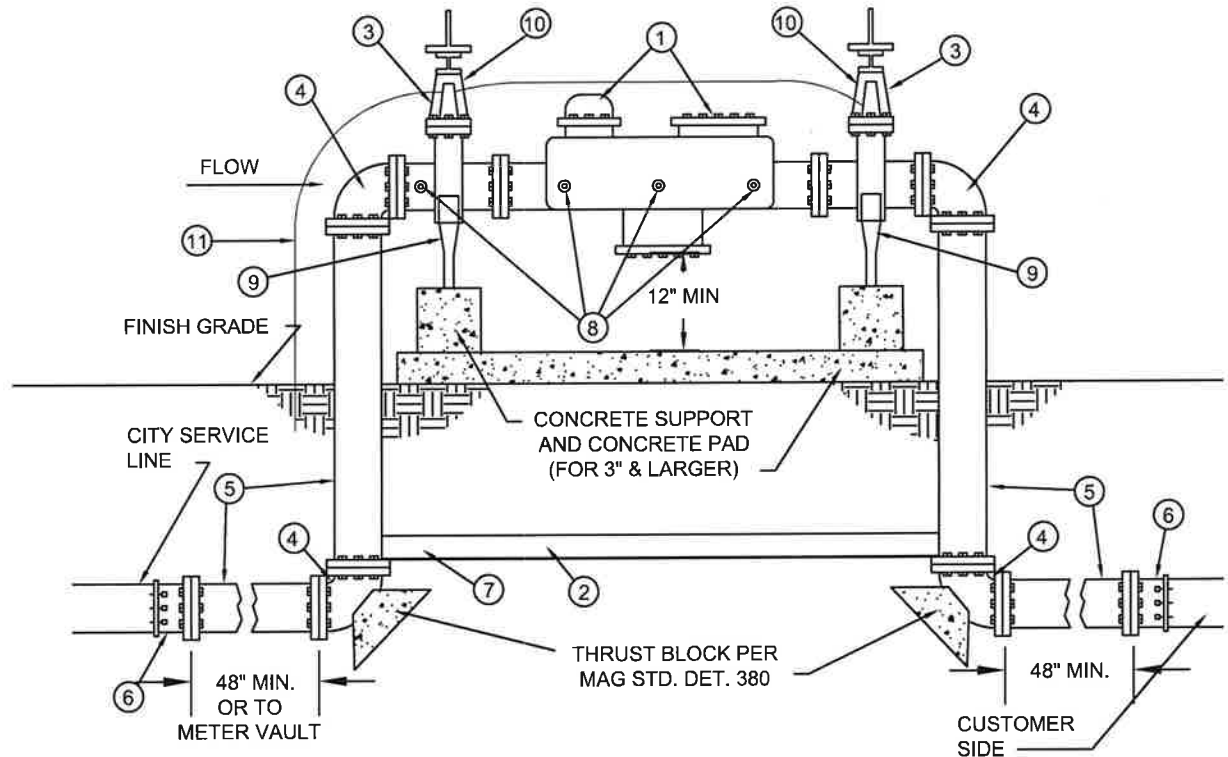


LIST OF MATERIALS

1. APPROVED REDUCED PRESSURE PRINCIPLE BACKFLOW PREVENTION ASSEMBLY
2. COAT WITH COAL TAR EPOXY (16 MILS.).
3. O.S. & Y. GATE VALVE (RESILIENT SEAT).
4. 90 ELBOW (FLANGED D.I.P. 3" THRU 10") OR (TYPE "K" COPPER 3/4" THRU 2 1/2").
5. PIPE SPOOL (FLANGED D.I.P. 3" THRU 10") OR (TYPE "K" COPPER 3/4" THRU 2 1/2").
6. FLANGED ADAPTER (WHEN REQUIRED).
7. 3" X 3" X 1/4" STEEL ANGLE (FOR 4" & LARGER ASSEMBLY ONLY) BOLT TO FLANGE EACH END WITH ONE BOLT.
8. BRASS FLARED TEST FITTINGS ARE REQUIRED ON ALL TEST COCKS
9. ADJUSTABLE PIPE SUPPORT (FOR 3" & LARGER ASSEMBLY ONLY).
10. TAMPER SWITCH (ON FIRE LINE ONLY).
11. ELECTRICAL CONDUIT FOR TAMPER SWITCH (ON FIRE LINE ONLY).



GENERAL NOTES

1. CONTACT THE TOWN OF GILBERT BACKFLOW PREVENTION DEPT FOR THE LATEST LIST OF APPROVED BACKFLOW PREVENTION BACKFLOW PREVENTION ASSEMBLIES.
2. ASSEMBLY SHALL BE APPROVED BY U.S.C. FOUNDATION FOR CROSS CONNECTION AND HYDRAULIC RESEARCH.
3. FOUR (4) TEST COCKS SHALL BE INSTALLED AS PER U.S.C.. TEST COCKS SHALL BE FITTED WITH BRASS FLARED TEST FITTINGS.
4. ABOVE GROUND INSTALLATIONS SHALL BE PROTECTED BY GUARD POSTS. SEE DETAIL 83-B
5. COPPER FITTINGS SHALL BE CONNECTED WITH LEAD-FREE SOLDER JOINTS.
6. CONCRETE SUPPORT PAD SHALL BE MIN. 12" WIDE BY LENGTH OF BACKFLOW PREVENTION ASSEMBLY.
7. FINISHED GRADE UNDERNEATH BACKFLOW PREVENTION ASSEMBLIES SHALL BE 95% COMPACTION.
8. ASSEMBLY TO BE PAINTED TAN OR TO MATCH BUILDING.



STANDARD
DETAIL

2 1/2" AND LARGER REDUCED PRESSURE
PRINCIPLE BACKFLOW ASSEMBLY

APPROVED

[Signature]
TOWN ENGINEER

3-31-14
DATE

DETAIL No.
83